



Pedalpower GbR

Proprietors: Harald Busack Eng.+ Michael Schönstedt
Pfarrstr. 115
10317 Berlin Deutschland
Tel. +49 (0)30 551 532 70
Fax +49 (0)30 551 532 72
www.pedalpower.de
Mail: post@pedalpower.de

PEDALPOWER

Tandems, Travelbikes Carrierbikes

Price List

Terms and Conditions of sale and delivery

Geometric Reference Lists

Updated: 25.01.2012

Recommended retail price in
Germany inc. VAT

CROSSCOUNTRY 26" MTB

Frame sizes: 23"/19" ; 20"/18" ; 18"/16"

Frame colours: mat black; red

Framematerial: Alu 7005, PEDALPOWER

**Tandemfork Alu , AVID V-brake + lever,
PEDALPOWER hubs, crankset TRUVATIV,
rims A- RIM tandem.**

Order number

P00001	Gear assembly: SRAM X5 24 speed	2176,-
P00002	Gear assembly: SRAM X7 27 speed	2283,-
P00003	Gear assembly: SRAM X9 27 speed	2390,-
P00004	Gear assembly: Rohloff 14 speed hub 8025 T	3091,-
PE0001	Electric power system BionX PL-250 HT	4126,-

CROSSROAD 28" Trekking

Frame sizes: 59/48; 51/46; 46/41 cm

Frame colours: mat black; red

Framematerial: Alu 7005, PEDALPOWER

**Tandemfork Alu , AVID V-brake + lever,
PEDALPOWER hubs, crankset TRUVATIV,
rims A- RIM tandem.**

Order number

P00009	Gear assembly: SRAM X5 24 speed	2176,-
P00010	Gear assembly: SRAM X7 27 speed	2283,-
P00011	Gear assembly: SRAM X9 27 speed	2390,-
P00012	Gear assembly: Rohloff 14 speed hub 8025 T	3091,-
PE0002	Electric power system BionX PL-250 HT	4126,-
F1	Prices quoted are in Euro and exclusive of packaging and delivery Packaging and delivery charges of assembled tandem bikes within Germany	89,-

We measure frame sizes from **mid BB** to **seat tube end**

For geometric data and crossbar heights please turn to the cross reference listings on pages 26– 31.

Subject to change and errors

Updated: 25.01.2012

Recommended retail price in
Germany inc. VAT

DEEP 26"

Frame size: 11"/ 11"

Frame colour: black gloss; red

Framematerial: Alu 7005, PEDALPOWER tandemfork Alu,
AVID V-brake + lever, PEDALPOWER hubs,
crankset TRUVATIV, rims A- RIM tandem.

Order number

P00017	Gear assembly: SRAM X5	1860,-
P00018	Gear assembly: SRAM X7	1967,-
P00019	Gear assembly Shimano Nexus 8 speed hub	1971,-
P00019b	Gear assembly Shimano Alfine 8 speed hub for diskbrakes	2012,-
P00024	Gear assembly: Shimano Alfine 11 speed hub	2269,-
P00020	Gear assembly: Rohloff 14 speed hub 8025 T	2770,-
PE0003	Electric power system BionX PL-250 HT	3810,-

DEEP 26" with 2 detachable PPP couplings

Frame size: 11"/ 11"

Frame colour: black gloss; red

Framematerial: Alu 7005, to detach with two
PEDALPOWER PPP couplings, PEDALPOWER
tandemfork Alu , AVID V-brake + lever, PEDALPOWER
hubs, crankset TRUVATIV, rims A- RIM tandem.

Order number

P00025	Gear assembly: SRAM X5	2323,-
P00026	Gear assembly: SRAM X7	2429,-
P00027	Gear assembly Shimano Nexus 8 speed hub	2433,-
P0027b	Gear assembly Shimano Alfine 8 speed hub for diskbrakes	2474,-
P00029	Gear assembly: Shimano Alfine 11 speed hub	2731,-
P00028	Gear assembly: Rohloff 14 speed hub 8025 T	3224,-
PE0004	Electric power system BionX PL-250 HT	4273,-
F1	Prices quoted are in Euro and exclusive of packaging and delivery Packaging and delivery charges of assembled tandem bikes within Germany	89,-

We measure frame sizes from mid BB to seat tube end

For geometric data and crossbar heights please turn to the cross reference listings on pages 26– 31.

Subject to change and errors

Updated: 25.01.2012

Recommended retail price in
Germany inc. VAT

TRIPLE DEEP 26"

with 4 detachable PPP couplings

Frame size: 11"/ 11"/11"

Frame colour: black gloss; red

Framematerial: Alu 7005,

to detach with four PEDALPOWER PPP couplings,

PEDALPOWER Tandemfork aluminium ,

AVID V-brake + lever, PEDALPOWER hub,

crankset TRUVATIV, rims A- RIM tandem.

Order number

P00033	Gear assembly: SRAM X5	3478,-
P00034	Gear assembly: SRAM X7	3584,-
P00035	Gear assembly Shimano Nexus 8 speed hub	3589,-
P00035b	Gear assembly Shimano Alfine 8 speed hub for diskbrakes	3630,-
P00037	Gear assembly: Shimano Alfine 11 speed hub	3887,-
P00036	Gear assembly: Rohloff 14 speed hub 8025 T	4380,-
PE0005	Electric power system BionX PL-250 HT	5428,-
F1	Prices quoted are in Euro and exclusive of packaging and delivery Packaging and delivery charges of assembled tandem bikes within Germany	89,-

We measure frame sizes from mid BB to seat tube end

For geometric data and crossbar heights please turn to the cross reference listings on pages 26– 31.

Subject to change and errors

Updated: 25.01.2012

Recommended retail price in
Germany inc. VAT

KOLIBRI 26"

Frame size: 11"/ 14"

Frame colour: ultramarine blue; red

Framematerial: Alu 7005, PEDALPOWER Tandemfork
Cro Mo, rims A- RIM tandem, children saddle front,
crankset TRUVATIV with two extra child-oriented pedal
threaded holes, sidewall dynamo lighting system,
mudguard, alu rack, center stand, AVID V-brakes.

Order number

P00190	Standard: Gear assembly: Sturmey – Archer 5 speed hub, with drum brakes	1880,-
P00191	Plus: Gear assembly Shimano Nexus 8 speed hub	1971,-
P000192	Spezial: Gear assembly: Shimano Alfine 11 speed hub	2269,-
PE0024	Electric power system BionX PL-250 HT	3800,-

KOLIBRI 26" Detachable

with 2 detachable PEDALPOWER PPP couplings

Frame size: 11"/ 14"

Frame colour: ultramarine blue; red

Framematerial: Alu 7005, PEDALPOWER Tandemfork
Cro Mo, rims A- RIM tandem, children saddle front,
crankset TRUVATIV with two extra child-oriented pedal
threaded holes, sidewall dynamo lighting system,
mudguard, alu rack, center stand, AVID V-brakes.

Order number

P00193	Standard: Gear assembly: Sturmey – Archer 5 speed hub, with drum brakes	2380,-
P00194	Plus: Gear assembly Shimano Nexus 8 speed hub	2471,-
P00195	Spezial: Gear assembly: Shimano Alfine 11 speed hub	2769,-
PE0025	Electric power system BionX PL-250 HT	4300,-
F1	Prices quoted are in Euro and exclusive of packaging and delivery Packaging and delivery charges of assembled tandem bikes within Germany	89,-

We measure frame sizes from mid BB to seat tube end
For geometric data and crossbar heights please turn to the cross reference listings on pages 26– 31.
Subject to change and errors

Updated: 25.01.2012

Recommended retail price in
Germany inc. VAT

LADY 26"

Frame sizes: 22" / 16" ; 20"/18" ; 18"/16"

Frame colours: mat black; red

**Framematerial: Alu 7005, PEDALPOWER Tandemfork Alu
AVID V-brake + lever, PEDALPOWER hub, crankset
TRUVATIV, rims A- RIM tandem.**

Order number

P00041	Gear assembly: SRAM X5 24 speed	2139,-
P00042	Gear assembly: SRAM X7 27 speed	2246,-
P00043	Gear assembly: SRAM X9 27 speed	2353,-
P00044	Gear assembly: Rohloff 14 speed hub 8025 T	3059,-
PE0006	Electric power system BionX PL-250 HT	4089,-

LADY 28"

Frame sizes: 56 / 41 ; 51 / 46 ; 46 / 41 cm

Frame colours: mat black; red

**Framematerial: Alu 7005, PEDALPOWER Tandemfork Alu
AVID V-brake + lever, PEDALPOWER hub, crankset
TRUVATIV, rims A- RIM tandem.**

Order number

P00049	Gear assembly: SRAM X5 24 speed	2139,-
P00050	Gear assembly: SRAM X7 27 speed	2246,-
P00051	Gear assembly: SRAM X9 27 speed	2353,-
P00052	Gear assembly: Rohloff 14 speed hub 8025 T	3059,-
PE0007	Electric power system BionX PL-250 HT	4089,-
F1	Prices quoted are in Euro and exclusive of packaging and delivery Packaging and delivery charges of assembled tandem bikes within Germany	89,-

We measure frame sizes from mid BB to seat tube end

For geometric data and crossbar heights please turn to the cross reference listings on pages 26– 31.

Subject to change and errors

Updated: 25.01.2012

Recommended retail price in
Germany inc. VAT

FREE RIDE 26" MTB

Frame sizes: 20"/18" ; 18"/16"

Frame colour: black gloss

Framematerial: Alu 7005,

suspension fork SR SUNTOUR DX,

damper DMN Burner-RLC, PEDALPOWER hub,

crankset TRUVATIV, rims A- RIM tandem,

Disc brake: QUAD QHD- 3 DEUCE.

Order number

P00057	Gear assembly: SRAM X9	4582,-
P00058	Gear assembly: Rohloff 14 speed hub 8025 T	5267,-

TWO MOON 26"

Frame sizes: 21"/19" ; 21" /17" ; 19"/17";17"/15"

Frame colour:: black gloss; red

Framematerial: Alu 7005,

suspension fork SUNTOUR ,

damper DMN Burner-RLC, PEDALPOWER hub,

crankset TRUVATIV, rims A- RIM tandem,

Disc brake: QUAD QHD- 4 AXIS

Order number

P00063	Gear assembly: SRAM X7 27 speed	3315,-
P00064	Gear assembly: SRAM X9 27 speed	3422,-
P00065	Gear assembly: Rohloff 14 speed hub 8025 T	3915,-
PE0008	Electric power system BionX PL-250 HT	5265,-
F1	Prices quoted are in Euro and exclusive of packaging and delivery Packaging and delivery charges of assembled tandem bikes within Germany	89,-

We measure frame sizes from mid BB to seat tube end

For geometric data and crossbar heights please turn to the cross reference listings on pages 26– 31.

Subject to change and errors

Updated: 25.01.2012

Recommended retail price in
Germany inc. VAT

LOW RIDER 26"

Frame size: 16"/ 21"

Frame colour: green

**Framematerial: Alu 7005, PEDALPOWER Tandemfork,
AVID V-brake + lever, PEDALPOWER hub, crankset
TRUVATIV, rims A- RIM tandem.**

Order number

P00070	Gear assembly: SRAM X7 27 speed	2384,-
P00071	Gear assembly: Rohloff 14 speed hub 8025 T	3091,-
PE0009	Electric power system BionX PL-250 HT	4234,-

LOW RIDER 28"

Frame size: 41 / 54 cm

Frame colour: green

**Framematerial: Alu 7005, PEDALPOWER Tandemfork,
AVID V-brake + lever, PEDALPOWER hub, crankset
TRUVATIV, rims A- RIM tandem.**

Order number

P00075	Gear assembly: SRAM X7 27 speed	2384,-
P00076	Gear assembly: Rohloff 14 speed hub 8025 T	3091,-
PE0010	Electric power system BionX PL-250 HT	4234,-
F1	Prices quoted are in Euro and exclusive of packaging and delivery Packaging and delivery charges of assembled tandem bikes within Germany	89,-

We measure frame sizes from mid BB to seat tube end
For geometric data and crossbar heights please turn to the cross reference listings on pages 26– 31.
Subject to change and errors

Updated: 25.01.2012

Recommended retail price in
Germany inc. VAT

CLASSIC STEEL 26"

Frame sizes: 19" / 19" , 17" / 17"

Frame colours: black; red

Framematerial: Cro Mo, PEDALPOWER Tandemfork Cro Mo, AVID V-brake + lever, PEDALPOWER hub, crankset TRUVATIV, rims A-RIM tandem.

Order number

P00093	Gear assembly: SRAM X7 27 speed	2116,-
P00094	Gear assembly: SRAM X9 27 speed	2223,-
P00095	Gear assembly: Rohloff 14 speed hub 8025 T	2931,-
PE0011	Electric power system BionX PL-250 HT	4066,-

CLASSIC STEEL 28"

Frame sizes: 48 / 48 ; 43 / 43 cm

Frame colours: black; red

Framematerial: Cro Mo, PEDALPOWER Tandemfork Cro Mo, AVID V-brake + lever, PEDALPOWER hub, crankset TRUVATIV, rims A-RIM tandem.

Order number

P00100	Gear assembly: SRAM X7 27 speed	2116,-
P00101	Gear assembly: SRAM X9 27 speed	2223,-
P00102	Gear assembly: Rohloff 14 speed hub 8025 T	2931,-
PE0012	Electric power system BionX PL-250 HT	4066,-

Detachable with 6 PPP couplings

CLASSIC STEEL 26"

Frame sizes: 19" / 19" , 17" / 17"

Frame colours: black; red

Framematerial: Cro Mo, to detach with 6 PEDALPOWER PPP couplings, PEDALPOWER Tandemfork Cro Mo, AVID V-brake + lever, PEDALPOWER hub, crankset TRUVATIV, rims A-RIM tandem.

Order number

P00107	Gear assembly: SRAM X7 27 speed	3721,-
P00108	Gear assembly: SRAM X9 27 speed	3828,-
P00109	Gear assembly: Rohloff 14 speed hub 8025 T	4536,-
PE0013	Electric power system BionX PL-250 HT	5271,-

F1	Prices quoted are in Euro and exclusive of packaging and delivery Packaging and delivery charges of assembled tandem bikes within Germany	89,-
-----------	--	-------------

We measure frame sizes from mid BB to seat tube end

For geometric data and crossbar heights please turn to the cross reference listings on pages 26– 31.

Subject to change and errors

Updated: 25.01.2012

Recommended retail price in
Germany inc. VAT

Detachable with 6 PPP couplings

CLASSIC STEEL 28"

Frame sizes: 48 / 48 ; 43 / 43 cm

Frame colours: black; red

Framematerial: Cro Mo, to detach with 6 PEDALPOWER PPP couplings, PEDALPOWER Tandemfork Cro Mo, AVID V-brake + lever, PEDALPOWER hub, crankset TRUVATIV, rims A- RIM tandem Order number

P00114	Gear assembly: SRAM X7 27 speed	3421,-
P00115	Gear assembly: SRAM X9 27 speed	3828,-
P00116	Gear assembly: Rohloff 14 speed hub 8025 T	4536,-
PE0014	Electric power system BionX PL-250 HT	5271,-

Detachable with 9 PPP couplings

CLASSIC STEEL Triple 26"

Frame sizes: 19" / 19" / 19" ; 17" / 17" / 17"

Frame colours: black; red

Framematerial: Cro Mo, to detach with 9 PEDALPOWER PPP couplings, PEDALPOWER Tandemfork Cro Mo, AVID V-brake + lever, PEDALPOWER hub, crankset TRUVATIV, rims A- RIM tandem Order number

P00117	Gear assembly: SRAM X7 27 speed	4577,-
P00118	Gear assembly: SRAM X9 27 speed	4684,-
P00119	Gear assembly: Rohloff 14 speed hub 8025 T	5338,-
PE0015	Electric power system BionX PL-250 HT	6427,-

Detachable with 9 PPP couplings

CLASSIC STEEL Triple 28"

Frame sizes: 48 / 48 / 48 ; 43 / 43 / 43 cm

Frame colours: black; red

Framematerial: Cro Mo, to detach with 9 PEDALPOWER PPP couplings, PEDALPOWER Tandemfork Cro Mo, AVID V-brake + lever, PEDALPOWER hub, crankset TRUVATIV, rims A- RIM tandem Order number

P00121	Gear assembly: SRAM X7 27 speed	4577,-
P00122	Gear assembly: SRAM X9 27 speed	4684,-
P00123	Gear assembly: Rohloff 14 speed hub 8025 T	5338,-
PE0016	Electric power system BionX PL-250 HT	6427,-

F1	Prices quoted are in Euro and exclusive of packaging and delivery Packaging and delivery charges of assembled tandem bikes within Germany	89,-
-----------	--	-------------

We measure frame sizes from mid BB to seat tube end

For geometric data and crossbar heights please turn to the cross reference listings on page 26-31.

Subject to change and errors

Updated: 25.01.2012

		Recommended retail price in Germany inc. VAT
<p>DOUBLE SPEED CARBON 700C Frame size: 51 cm/ 51 cm; Framematerial: Carbon Frame colour: carbon black- aluminium polished Carbon fork, gear assembly SRAM RIVAL , crankset TRUVATIV TOURO, brakes AVID</p>		
Order number	P00128	4906,-
<p>DOUBLE SPEED SPRINT 700C Frame sizes: 58 / 49 ; 53/ 48 ; 49 / 43 cm Framematerial: Alu 7005, Frame colour: black gloss ; red PEDALPOWER Alu fork, , gear assembly SRAM RIVAL, crankset TRUVATIV TOURO, brakes AVID</p>		
Order number	P00130	3034,-
F1	<p>Prices quoted are in Euro and exclusive of packaging and delivery Packaging and delivery charges of assembled tandem bikes within Germany:</p>	89,-

We measure frame sizes from mid BB to seat tube end
 For geometric data and crossbar heights please turn to the cross reference listings on page 26-31.
 Subject to change and errors
 Updated: 25.01.2012

Preise in € ausschließlich Fracht und Verpackung

Recommended retail price in
Germany inc. VAT

SPEED BIKE 700C

Frame sizes: 58 / 49 ; 53/ 48 ; 49 / 43 cm

**Framematerial: Alu 7005, Frame colour: black gloss ; red
PEDALPOWER Alu fork, , gear assembly SRAM RIVAL,
crankset TRUVATIV TOURO, disc brakes : QUAD QHD 4,**

Order number

P00132	Gear assembly: SRAM X9 27 speed	3316,-
P00133	Gear assembly: Rohloff 14 speed hub 8025 T	4011,-

RANDONNEUR 700C

Frame sizes: 58 / 49 ; 53/ 48 ; 49 / 43 cm

**Framematerial: Alu 7005, Frame colour: black gloss ; red
PEDALPOWER Alu fork, , gear assembly SRAM RIVAL,
crankset TRUVATIV TOURO, disc brakes : AVID BB7,
racing handlebar, switching lever control Sram Rival,
rims A- RIM Tandem.**

on use of Rohloff, rotary handle for racing handlebar including

Order number

P00176	Gear assembly: SRAM X9 27 speed	3583,-
P00177	Gear assembly: Rohloff 14 speed hub 8025 T	3807,-

F1	Prices quoted are in Euro and exclusive of packaging and delivery Packaging and delivery charges of assembled tandem bikes within Germany:	89,-
-----------	---	-------------

We measure frame sizes from mid BB to seat tube end
For geometric data and crossbar heights please turn to the cross reference listings on page 26-31.

Subject to change and errors

Updated: 25.01.2012

Recommended retail price in
Germany inc. VAT

BERLIN STEEL 26"

Frame sizes: 21" / 19" , 18" / 16"

Frame colours: black; red

Framematerial: Cro Mo, PEDALPOWER

**Tandemfork Cro Mo, AVID V-brake + lever,
PEDALPOWER hub, crankset TRUVATIV,
rims A- RIM tandem.**

Order number

P00139	Gear assembly: SRAM X7 27 speed	2116,-
P00140	Gear assembly: SRAM X9 27 speed	2223,-
P00141	Gear assembly: Rohloff 14 speed hub 8025 T	2931,-
PE0017	Electric power system BionX PL-250 HT	3966,-

BERLIN STEEL 28"

Frame sizes: 53 / 48 ; 46 / 41 cm

Frame colours: black; red

Framematerial: Cro Mo, PEDALPOWER

**Tandemfork Cro Mo, AVID V-brake + lever,
PEDALPOWER hub, crankset TRUVATIV,
rims A- RIM tandem.**

Order number

P00142	Gear assembly: SRAM X7 27 speed	2116,-
P00143	Gear assembly: SRAM X9 27 speed	2223,-
P00144	Gear assembly: Rohloff 14 speed hub 8025 T	2931,-
PE0018	Electric power system BionX PL-250 HT	3966,-
F1	Prices quoted are in Euro and exclusive of packaging and delivery Packaging and delivery charges of assembled tandem bikes within Germany:	89,-

We measure frame sizes from mid BB to seat tube end

For geometric data and crossbar heights please turn to the cross reference listings on page 26-31.

Subject to change and errors

Updated: 25.01.2012

Recommended retail price in
Germany inc. VAT

BERLIN STEEL 26"

Frame sizes: 21" / 19" , 18" / 16"

Detachable with 3 PPP couplings

Frame colours: black; red

Framematerial: Cro Mo, PEDALPOWER

Tandemfork Cro Mo, AVID V-brake + lever,

PEDALPOWER hub, crankset TRUVATIV,

rims A- RIM tandem.

Order number

P00146	Gear assembly: SRAM X7 27 speed	2919,-
P00147	Gear assembly: SRAM X9 27 speed	3026,-
P00148	Gear assembly: Rohloff 14 speed hub 8025 T	3733,-
PE0019	Electric power system BionX PL-250 HT	4769,-

BERLIN STEEL 28"

Frame sizes: 53 / 48 ; 46 / 41 cm

Detachable with 3 PPP couplings

Frame colours: black; red

Framematerial: Cro Mo, PEDALPOWER

Tandemfork Cro Mo, AVID V-brake + lever,

PEDALPOWER hub, crankset TRUVATIV,

rims A- RIM tandem.

Order number

P00153	Gear assembly: SRAM X7 27 speed	2919,-
P00154	Gear assembly: SRAM X9 27 speed	3026,-
P00155	Gear assembly: Rohloff 14 speed hub 8025 T	3733,-
PE0020	Electric power system BionX PL-250 HT	4769,-

F1	Prices quoted are in Euro and exclusive of packaging and delivery Packaging and delivery charges of assembled tandem bikes within Germany:	89,-
----	---	------

We measure frame sizes from mid BB to seat tube end

For geometric data and crossbar heights please turn to the cross reference listings on page 26-31.

Subject to change and errors

Updated: 25.01.2012

BERLIN STEEL 26"

Frame sizes: 21" / 19" , 18" / 16"

Detachable with 6 PPP couplings

Frame colours: black; red

Framematerial: Cro Mo, PEDALPOWER

Tandemfork Cro Mo, AVID V-brake + lever,

PEDALPOWER hub, crankset TRUVATIV,

rims A- RIM tandem.

Order number

P00168	Gear assembly: SRAM X7 27 speed	3721,-
P00169	Gear assembly: SRAM X9 27 speed	3828,-
P00170	Gear assembly: Rohloff 14 speed hub 8025 T	4536,-
PE0021	Electric power system BionX PL-250 HT	5271,-

BERLIN STEEL 28"

Frame sizes: 53 / 48 ; 46 / 41 cm

Detachable with 6 PPP couplings

Frame colours: black; red

Framematerial: Cro Mo, PEDALPOWER

Tandemfork Cro Mo, AVID V-brake + lever,

PEDALPOWER hub, crankset TRUVATIV,

rims A- RIM tandem.

Order number

P00171	Gear assembly: SRAM X7 27 speed	3721,-
P00172	Gear assembly: SRAM X9 27 speed	3828,-
P00173	Gear assembly: Rohloff 14 speed hub 8025 T	4536,-
PE0022	Electric power system BionX PL-250 HT	5271,-
F1	Prices quoted are in Euro and exclusive of packaging and delivery Packaging and delivery charges of assembled tandem bikes within Germany::	89,-

We measure frame sizes from mid BB to seat tube end

For geometric data and crossbar heights please turn to the cross reference listings on page 26-31.

Subject to change and errors

Updated: 25.01.2012

Recommended retail price in
Germany inc. VAT

RANDONNEUR STEEL 26"

Frame sizes: 21" / 19" , 18" / 16"

Framematerial: Cro Mo, Frame colour: black gloss ; red
PEDALPOWER Alu fork, , gear assembly SRAM RIVAL,
crankset TRUVATIV Elita, Avid V-Brakes,
racing handlebar, switching lever control Sram Rival,
rims A- RIM Tandem.

on use of Rohloff, rotary handle for racing handlebar including

Order number

P00174	Gear assembly: Sram Rival	2544,-
P00175	Gear assembly: Rohloff 14 speed hub 8025 T	3347,-

RANDONNEUR STEEL 28"

Frame sizes: 53 / 48 ; 46 / 41 cm

Framematerial: Cro Mo, Frame colour: black gloss ; red
PEDALPOWER Alu fork, , gear assembly SRAM RIVAL,
crankset TRUVATIV Elita, Avid V-Brakes,
racing handlebar, switching lever control Sram Rival,
rims A- RIM Tandem.

on use of Rohloff, rotary handle for racing handlebar including

Order number

P00176	Gear assembly: Sram Rival	2544,-
P00177	Rohloff 14 Gang- Nabe 8025 T	3347,-

Detachable with 3 PPP couplings

RANDONNEUR STEEL 26"

Frame sizes: 21" / 19" , 18" / 16"

Framematerial: Cro Mo, Frame colour: black gloss ; red
PEDALPOWER Alu fork, , gear assembly SRAM RIVAL,
crankset TRUVATIV Elita, Avid V-Brakes,
racing handlebar, switching lever control Sram Rival,
rims A- RIM Tandem.

on use of Rohloff, rotary handle for racing handlebar including

Order number

P00178	Gear assembly: Sram Rival	3344,-
P00179	Gear assembly: Rohloff 14 speed hub 8025 T	4147,-
F1	Prices quoted are in Euro and exclusive of packaging and delivery Packaging and delivery charges of assembled tandem bikes within Germany:	89,-

We measure frame sizes from mid BB to seat tube end

For geometric data and crossbar heights please turn to the cross reference listings on page 26-31.

Subject to change and errors

Updated: 25.01.2012

Recommended retail price in
Germany inc. VAT

Detachable with 3 PPP couplings

RANDONNEUR STEEL 28"

Frame sizes: 53 / 48 ; 46 / 41 cm

Framematerial: Cro Mo, Frame colour: black gloss ; red
PEDALPOWER Alu fork, , gear assembly SRAM RIVAL,
crankset TRUVATIV Elita, Avid V-Brakes,
racing handlebar, switching lever control Sram Rival,
rims A- RIM Tandem.

on use of Rohloff, rotary handle for racing handlebar including

Order number

P00187	Gear assembly: Sram Rival	3344,-
--------	---------------------------	--------

P00188	Gear assembly: Rohloff 14 speed hub 8025 T	4147,-
--------	--	--------

Detachable with 6 PPP couplings

RANDONNEUR STEEL 26"

Frame sizes: 21" / 19" , 18" / 16"

Framematerial: Cro Mo, Frame colour: black gloss ; red
PEDALPOWER Alu fork, , gear assembly SRAM RIVAL,
crankset TRUVATIV Elita, Avid V-Brakes,
racing handlebar, switching lever control Sram Rival,
rims A- RIM Tandem.

on use of Rohloff, rotary handle for racing handlebar including

Order number

P00189	Gear assembly: Sram Rival	4094,-
--------	---------------------------	--------

P00190	Gear assembly: Rohloff 14 speed hub 8025 T	4897,-
--------	--	--------

F1	Prices quoted are in Euro and exclusive of packaging and delivery Packaging and delivery charges of assembled tandem bikes within Germany:	89,-
----	---	------

We measure frame sizes from mid BB to seat tube end

For geometric data and crossbar heights please turn to the cross reference listings on page 26-31.

Subject to change and errors

Updated: 25.01.2012

Recommended retail price in
Germany inc. VAT

Detachable with 6 PPP couplings

RANDONNEUR STEEL 28"

Frame sizes: 53 / 48 ; 46 / 41 cm

Framematerial: Cro Mo, Frame colour: black gloss ; red
PEDALPOWER Alu fork, , gear assembly SRAM RIVAL,
crankset TRUVATIV Elita, Avid V-Brakes,
racing handlebar, switching lever control Sram Rival,
rims A- RIM Tandem.

on use of Rohloff, rotary handle for racing handlebar including

Order number

P00185	Gear assembly: Sram Rival	4094,-
P00186	Rohloff 14 Gang- Nabe 8025 T	4897,-

BUTTERFLY Falttandem 20"

Frame size: 16" / 15"

Frame colours: black gloss; red

Framematerial: Alu 7005, PEDALPOWER
Tandemfork Cro Mo, AVID V-brake + lever,
PEDALPOWER hub, rims A- RIM tandem,
rear rack with rollers.

Order number

P00181	Gear assembly Shimano Nexus 8 speed hub	2297,-
P00181b	Gear assembly Shimano Alfine 8 speed hub for diskbrakes	2338,-
P00184	Gear assembly: Shimano Alfine 11 speed hub	2595,-
P00182	Gear assembly: Rohloff 14 speed hub 8025 T	2984,-
PE0023	Electric power system in preparation	
F1	Prices quoted are in Euro and exclusive of packaging and delivery Packaging and delivery charges of assembled tandem bikes within Germany:	89,-

We measure frame sizes from mid BB to seat tube end

For geometric data and crossbar heights please turn to the cross reference listings on page 26-31.

Subject to change and errors

Updated: 25.01.2012

Order number		Recommended retail price in Germany inc. VAT
OP0001	Prefer a different colour? Then just give us the RAL number of your choice	from 170,-
opSR01	Sram X5 / X7 / X9 Twist Shifter with output indicator (instead Sram Trigger)	21,-
OP0002	TRAVELVERSION The Travelversion includes the following features: Lighting system: hub dynamo with Busch+Müller rear parking light in stop position, Basta LED headlight with switch 15 Lux, SKS mudguards, Pedalpower PackRack carrier, middle stand (side stand for suspension models).	325,-
OP0005	TRAVELVERSION for disc brakes The Travelversion includes the following features: Lighting system: hub dynamo with Busch+Müller rear parking light in stop position, Basta LED headlight with switch 15 Lux, SKS mudguards, Pedalpower PackRack carrier, middle stand (side stand for suspension models).	335,-
OP0100	Front spotlight Axa LED Sprint PRO Steady with switch 25 Lux; parking light (at least four minute exposure time)	25,-
OP0009	surcharge for Rohloff 500/14 CC DB Tandem black 8027T with disc brake mounts Please ask for availability	38,-
OP0010	surcharge for Rohloff 500/14 CC DB Tandem red 8026 T with disc brake mounts Please ask for availability	38,-
OP0006	surcharge for BionX PL250- battery, luggage carrier,	150,-
OP0015	Hydraulic disc brakes QUAD QHD – 4 oder 5, disc brake diameter 203 mm	361,-
OP0016	Hydraulische Scheibenbremsen QUAD QHD – 3 DEUCE with steel braided hose , brake diameter 203 mm	427,-
OP0017	Hydraulic brake Magura HS 33	212,-
OP0017b	Steel braided hose , für Magura HS 33 in addition	95,-
OP0018	Disc brakes AVID mechanical BB 7 brake diameter 203 mm	149,-

Subject to change and errors

Updated: 25.01.2012

PEDALPOWER – BERLIN
OPTIONAL PARTS/ACCESSORIES

PRICE LIST

Order number		Recommended retail price in Germany inc. VAT
OP0025	SR Suntour suspension fork RUX S Tandem	277,-
OP0026	SR Suntour suspension fork DURO Tandem with quick-release axle including hub	320,-
OP0027	SR Suntour suspension fork DURO LUX Tandem with quick-release axle including hub	427,-
OP0091	SPINNER GRIND suspension fork Plus 20“	198,-
OP0028	Rock Shox Federgabel Totem	988,-
OP0029	Suspension seatpost SR Suntour NCX-D4	83,-
OP0090	Rohloff rotary handle for Randonneur (racing handlebar) including assembly	110,-
OP0030	SON 28 Hubynamo silver	179,-
OP0031	SON 28 Hubynamo black	199,-
OP0032	SON 28 disc hubdynamo silver with disc brake mounts	216,-
OP0033	SON 28 disc hubdynamo black with disc brake mounts	236,-
OP0053	SON Edelux LED- headlight	149,-
OP0035	SON E6 headlight with switch silver	79,-
OP0036	SON E6 headlight with switch black	84,-
OP0054	Headlight B+M Lumotec Fly N mit Schalter	48,-
OP0037	Headlight B+M Lumotec IQ mit Schalter	70,-
OP0038	Lighting system Shimano DH3D30 hubdynamo with sidelights rear, Axa LED- headlight Sprint front	
OP0039	Lighting system Shimano DH3D30 hubdynamo with disc brake mounts with sidelights rear, Axa LED- headlight Sprint front.	
OP0052	Rücklicht B+M Toplight plus	35,-
OP0080	Carrier Pedalpower „PackRack“ rear specifically for Pedalpower tandems and carrier bikes	89,-
OP0042	Carrier Alu	55,-
OP0043	Carrier Tubus Cargo	93,-
OP0044	Carrier Tubus Logo	103,-
OP0045	Carrier Tubus Locc	
OP0046	Carrier Tubus Fly	73,-
OP0047	Low- Rider Tubus Tara	77,-
OP0048	Low- Rider Tubus Ergo	83,-
OP0050	Suspension Fork Low- Rider TUBUS Swing	114,-
OP0051	Suspension Fork Low – Rider FAIV Koogar	212,-

Subject to change and errors

Updated: 25.01.2012

**PEDALPOWER – BERLIN
OPTIONAL PARTS/ACCESSORIES**

PRICE LIST

Order number		Recommended retail price in Germany inc. VAT
OP0060	Centre stand Alu	48,-
OP0061	Side stand	38,-
OP0062	SKS – mudguards	43,-
OP0063	Handlebar PP multifunction 2011 <i>enable upright, comfortable seating for the stoker ; individually adaptable.</i>	79,-
OP0065	Wheelset / 48 H PEDALPOWER hub, A- RIM	98,-
OP0066	Wheel front / 48 H PEDALPOWER hub, A- RIM	36,-
OP0067	Wheel rear / 48 H PEDALPOWER hub, A- RIM	62,-
OP0068	Kiddie crank additional mounted bottom bracket housing complied. crank, bottom bracket, chain, chain wheels	299,-
OP0069	Children cranks with pedal threads in the length measurements as desired.	75,-
OP0069b	Two additional children-oriented pedal threads in the tandem cranks. Length measurements as desired.	47,-
OP0093	Foldable pedals aluminium/ plastic	15,-
OP0094	Clip on anti-skid pedale	25,-
OP0095	Pedeles with loops for the KOLIBRI	25,-
OP0070	Freewheel crank Set only for gear hubs	128,-
OP0071	Double Freewheel crank Set <i>only for gear hubs</i>	198,-
OP0092	Freewheel crank Set for KOLIBRI front with two additional children-oriented pedal threads in the front tandem cranks	135,-
OP0072	Chainrunner chain guard for the connection chain	25,-
OP0072b	Chainrunner for the transmission chain <i>only for gear hubs</i>	18,-
OP0073	Chainglider for chainwheel 44 teeth	57,-
OP0075	Wheelset 48 H, PEDALPOWER hubset red or white Rim A- RIM	158,-
OP0076	Wheel rear 48 H, PEDALPOWER hub red or white Rim A- RIM	102,-
OP0077	Wheel front 48 H, PEDALPOWER hub red or white Rim A- RIM	56,-

Subject to change and errors

Updated: 25.01.2012

Tandem frames

Order number		Recommended retail price in Germany inc. VAT
PR0001	CROSSCOUNTRY 26"	959,-
PR0002	CROSSROAD 28"	959,-
PR0003	LADY 26" / 28"	959,-
PR0013	DEEP 26"	852,-
PR0014	DEEP Detachable 26" with 2 PPP couplings	1352,-
PR0016	DEEP Triple Detachable 26" with 4 PPP couplings	2458,-
PR0015	LOW RIDER 26" MTB	1066,-
PR0004	CLASSIC STEEL 26" / 28"	852,-
PR0005	CLASSICSTEEL Detachable 26"/28" with 6 PPP couplings	2521,-
PR0017	CLASSICSTEEL Triple Detachable 26"/28" with 9 PPP couplings	3484,-
PR0006	BERLIN STEEL 26" / 28"	852,-
PR0007	BERLIN STEEL Detachable with 3 PPP couplings 26"/ 28"	1686,-
PR0019	BERLIN STEEL Detachable with 6 PPP couplings 26"/ 28"	
PR0008	DOUBLE SPEED Carbon Race frame 700C	2502,-
PR0009	DOUBLE SPEED SPRINT Race frame 700C	1592,-
PR0010	SPEED BIKE Speed frame 700C	1592,-
PR0011	Fully FREE RIDE 26" MTB powdered with eccentric and dropout	1528,-
PR0012	Fully TWO MOON 26" powdered with eccentric and dropout	1277,-
PR0020	BUTTERFLY 20" Folding tandem frame	980,-
F3	Prices quoted are in Euro and exclusive of packaging and delivery Packaging and delivery charges of tandem frames within Germany:	48,-

We measure frame sizes from mid BB to seat tube end
For geometric data and crossbar heights please turn to the cross reference listings on pages 26– 31.
Subject to change and errors

Updated: 25.01.2012

TANDEM PARTS

Order number		Recommended retail price in Germany inc. VAT
PZ0001	Carbonfork for Racetandem	276,-
PZ0002	Carbonfork for Racetandem with brakepivots for V - Brakes	319,-
PZ0003	Tandem Alu Gabeln 26" und 28" with brakepivots and disc brake tab suspension geometry	149,-
PZ0004	Tandem Cro Mo Gabeln 26" and 28" with brakepivots and disc brake tab with and without suspension geometry	99,-
PZ0005	Tandem crankset Truvativ TOUR 52/42/30	213,-
PZ0029	Tandem crankset Truvativ ELITA 52/42/30 including bottom bracket	309,-
PZ0006	Tandem crankset Truvativ FIVE D 48/38/28	192,-
PZ0030	Tandem crankset Truvativ FIREX 48/38/28 including bottom bracket	245,-
PZ0007	Hydraulic disc brakes QUAD QHD – 4 Axis or 5 DIME Set with tandem – steel braided hose / 203 mm discs	371,-
PZ0008	QUAD QHD– 4 Axis oder 5 DIME Vorn with tandem – steel braided hose / 203 mm disc	175,50
PZ0009	QUAD QHD –4 Axis oder 5 DIME Hinten with tandem – steel braided hose / 203 mm disc	195,50
PZ0010	QUAD QHD – 3 DEUCE Set with tandem – steel braided hose / 203 mm discs	448,-
PZ0027	QUAD QHD – 3 DEUCE front with tandem – steel braided hose / 203 mm disc	214,-
PZ0028	QUAD QHD – 3 DEUCE rear with tandem – steel braided hose / 203 mm disc	234,-
PZ0031	Brakepads for QUAD Brakes	17,-
PZ0032	Brake disc for Rohloffhubs 180 and 203 mm	63,-
PZ0033	Brake disc 203 mm	63,-
PZ0034	Brake disc 238 mm	89,-
PZ0035	Exhaust kit for für QUAD	20,-
PZ0017	Seat post shims	5,-
PZ0018	Head set Cane Creek integrated	41,-
F5	Prices quoted are in Euro and exclusive of packaging and delivery Packaging and delivery charges of parts within Germany:	10,-

Subject to change and errors

Updated: 25.09.2012

**PEDALPOWER – BERLIN
TANDEM PARTS**

PRICE LIST

Order number		Recommended retail price in Germany inc. VAT
PZ0019	Wheelset 48 H. 28“, 26“, 20“ PEDALPOWER hubs, rear hub 2 bearings, A – RIM with disc brake mounts	255,-
PZ0046	Wheelset 48 H. 28“, 26“, 20“ PEDALPOWER hubs, rear hub 4 bearings, A – RIM with disc brake mounts	294,-
PZ0020	Wheel rear 48 H. 28“, 26“, 20“ PEDALPOWER hub 2 bearings, A – RIM with disc brake mounts	170,-
PZ0047	Wheel rear 48 H. 28“, 26“, 20“ PEDALPOWER hub, 4 bearings, A – RIM with disc brake mounts	209,-
PZ0021	Wheel front 48 H. 28“, 26“, 20“ PEDALPOWER hub, A – RIM, with disc brake mounts	85,-
PZ0036	PEDALPOWER rear hub 36 holes+48 holes, 2 bearings black	139,-
PZ0048	PEDALPOWER rear hub 40 holes+ 48 holes, 4 bearings black	178,-
PZ0038	PEDALPOWER rear hub red or white, 48 holes, 2 bearings	149,-
PZ0049	PEDALPOWER rear hub red or white, 48 holes, 4 bearings	188,-
PZ0050	PEDALPOWER rear hub 48 holes, 4 bearings, black mounting width 140 and 145 mm	198,-
PZ0037	PEDALPOWER front hub 36 holes + 48 holes black	59,-
PZ0039	PEDALPOWER front hub red or white, 48 holes	69,-
PZ0024	Rims A– RIM / 28“,26“,20“ with: 48, 36, 32 holes	32,-
PZ0025	Kiddie crank can be additional mounted on tandemframes. Bottom bracket housing complied. crank, bottom bracket, chain, chain wheels. Without assembly	288,-
PZ0026	Freewheel crank Set without Chainring and assembly	148,-
PZ0011	Stoker– adjustable stem adjustable 200 – 250mm	63,-
F5	Prices quoted are in Euro and exclusive of packaging and delivery Packaging and delivery charges of parts within Germany:	10,-

Subject to change and errors

Updated: 25.01.2012

**PEDALPOWER – BERLIN
TANDEM PARTS**

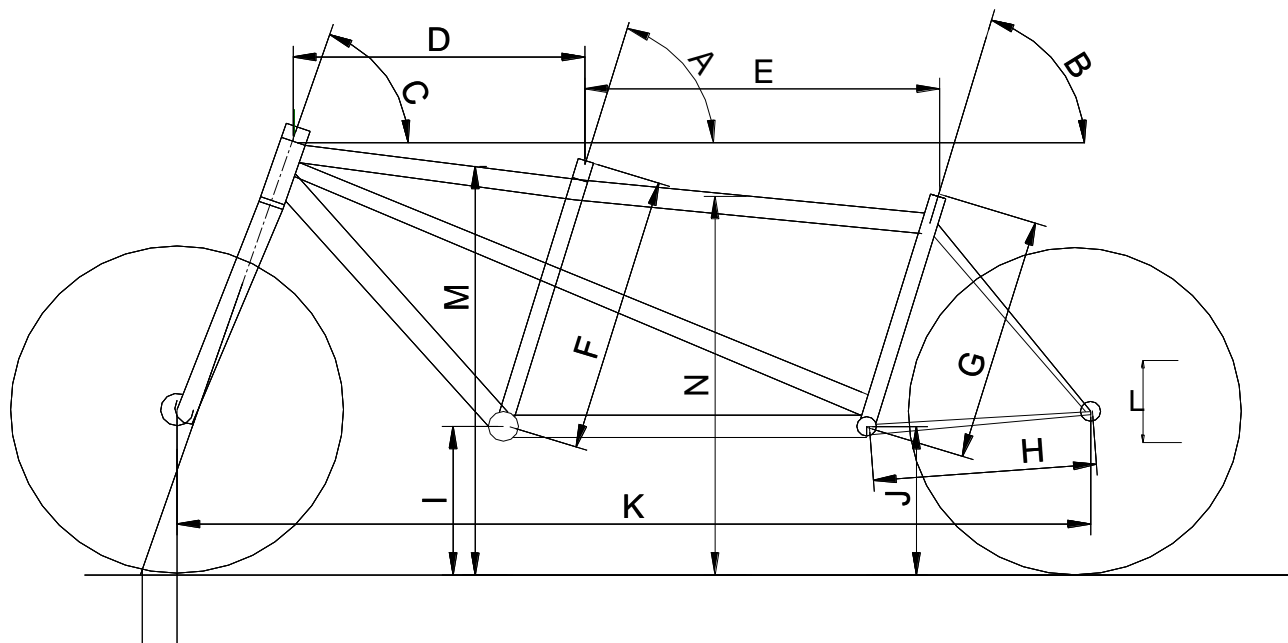
PRICE LIST

Order number		Recommended retail price in Germany inc. VAT
PZ0012	Handlebar PP Multifunction 2011	87,-
PZ0013	Seatpost	25,-
PZ0014	Excenter	52,-
PZ0015	Brake cable / Tandem	6,-
PZ0016	Shifter cable / Tandem	6,-
PZ0040	Rohloff - dropout / movable On the right side with derailleur hanger	31,-
PZ0051	BOOSTER Bicycle lock for mounting on the brakepivots	25,-
PZ0052	Protective bag for the drive unit	25,-
PZ0053	ORTLIEB Back Roller	110,-
PZ0054	ORTLIEB Front Roller	90,-
PZ0055	Double saddle clamp with 30,4; 31,8; 35,0; 38,1mm diameter	13,-
PZ0056	Double quick-release saddle clamp with 38,1 + 35,0 mm diameter	29,-
F5	Prices quoted are in Euro and exclusive of packaging and delivery Packaging and delivery charges of parts within Germany:	10,-

Subject to change and errors

Updated: 25.01.2012

TANDEM GEOMETRY REFERENCE LIST



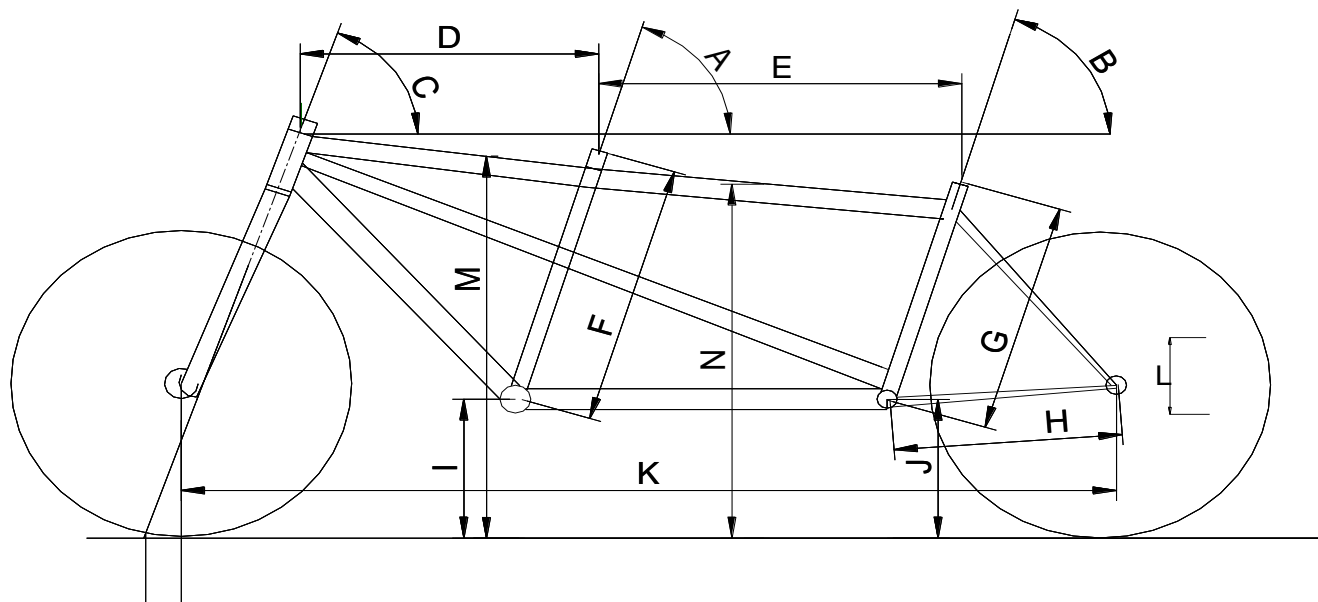
TANDEM GEOMETRY REFERENCE LIST		CROSS-COUNTRY 26"	CROSS-COUNTRY 26"	CROSS COUNTRY 26"
Frame sizes		23" / 19"	20" / 18"	18" / 16"
Captain Seat tube angle (in degrees)	A	73	73	73
Stoker seat tube angle (in degrees)	B	73	73	73
Head tube angle (in degrees)	C	71	71	71
Captain horizontal top tube length (in/cm)	D	63	60	58
Stoker horizontal top tube length (in/cm)	E	72,5	72,5	72,5
Measured from the middle of the front bottom bracket to the top edge of the captain seat tube. (in/cm)	F	58,5	51	46
Measured from the middle of the rear bottom bracket to the top edge of the stoker seat tube. (in/cm)	G	48,5	46	40,5
chain stay length (in/cm)	H	45	45	45
Captain bottom bracket height (in/cm)	I	30	30	30
Stoker bottom bracket height (in/cm)	J	30	30	30
Axis distance (in/cm)	K	185	182	181
Suspension travel rear (in/cm)	L			
Captain standover height (in/cm)	M	86	77	71
Stoker standover height (in/cm)	N	77	73	68
Subject to change and errors		Standover height measured with tubes Conti Contact 559 X 47 or 622 X 47		

TANDEM GEOMETRY REFERENCE LIST

TANDEM GEOMETRY REFERENCE LIST		LADY 26"	LADY 26"	LADY 26"	LADY 28"	LADY 28"	LADY 28"
Frame sizes		22" / 16"	20" / 18"	18" / 16"	56/41 cm	51/49 cm	46/41 cm
Captain Seat tube angle (in degrees)	A	73	73	73	73	73	73
Stoker seat tube angle (in degrees)	B	73	73	73	73	73	73
Head tube angle (in degrees)	C	71	71	71	71	71	71
Captain horizontal top tube length (in/cm)	D	61	59,5	58	61	59,5	58
Stoker horizontal top tube length (in/cm)	E	72,5	72,5	72,5	72,5	72,5	72,5
Measured from the middle of the front bottom bracket to the top edge of the captain seat tube. (in/cm)	F	56	51	46	56	51	46
Measured from the middle of the rear bottom bracket to the top edge of the stoker seat tube. (in/cm)	G	41	46	41	44,1	46	41
chain stay length (in/cm)	H	45	45	45	45	45	45
Captain bottom bracket height (in/cm)	I	30	30	30	32	32	32
Stoker bottom bracket height (in/cm)	J	30	30	30	32	32	32
Axis distance (in/cm)	K	183	182	180	183	182	180
Suspension travel rear (in/cm)	L						
Captain standover height (in/cm)	M	79	77	76	82	79,5	79
Stoker standover height (in/cm)	N	52	52	49	55	55	52
Subject to change and errors	Standover height measured with tubes Conti Contact 559 X 47 or 622 X 47						

	CROSSROAD 28"	CROSSROAD 28"	CROSSROAD 28"	DEEP 26"	TRIPLE DEEP 26"
	59/48 cm	51/49 cm	46/41 cm	11" /11"	11"/11"/11"
A	73	73	73	73	73
B	73	73	73	72	72 / 72
C	71	71	71	71	71
D	63	60	58	59	59
E	72,5	72,5	72,5	74	74 / 73
F	58,5	51	46	28	28
G	48,5	46	40,5	28	28 / 28
H	45	45	45	42	45
I	32	32	32	29,5	33
J	32	32	32	29,5	33
K	185	182	181	179	255
L					
M	87	79	74	46	50
N	79	75	70	46	50 / 50
Standover height measured with tubes Conti Contact 559 X 47 or 622 X 47					

TANDEM GEOMETRY REFERENCE LIST



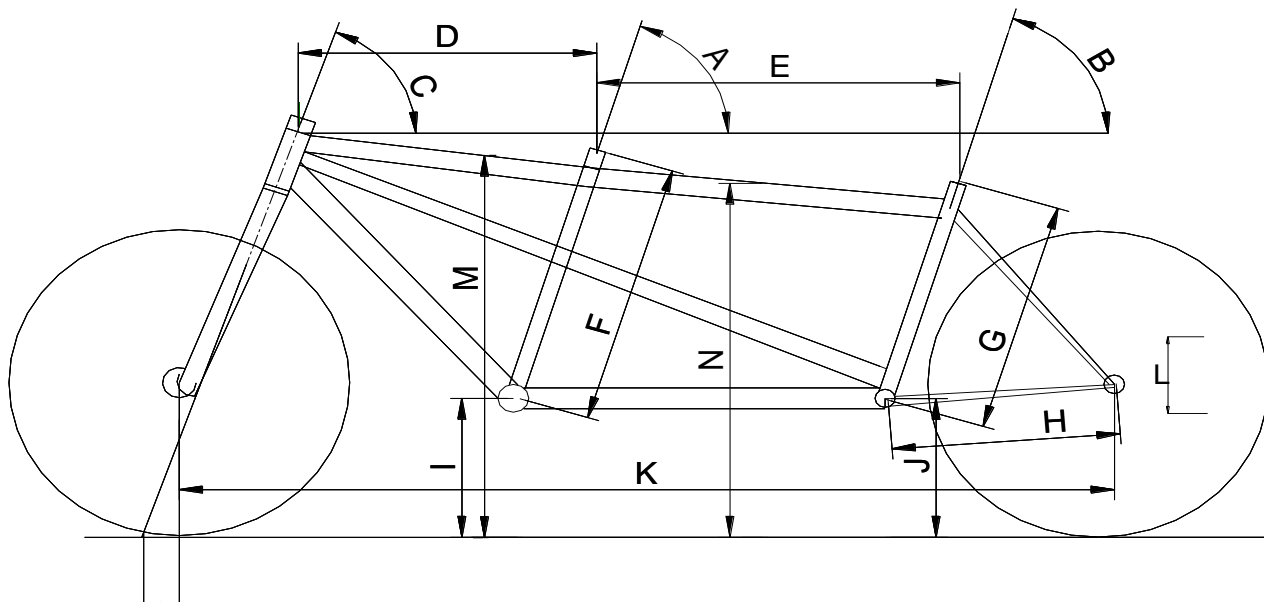
	PEDALPOWER FREERIDE 26"	PEDALPOWER FREERIDE 26"	PEDALPOWER TWO MOON 26"	PEDALPOWER TWO MOON 26"	PEDALPOWER TWO MOON 26"	PEDALPOWER TWO MOON 26"
	20" / 18"	18" / 16"	21" / 19"	21" / 17"	19" / 17"	17" / 15"
A	73	73	73	73	73	73
B	73	73	73	73	73	73
C	70,5	70,5	71	71	71	71
D	59	59	60	60	59	59
E	70	70	72,5	72,5	72,5	72,5
F	51	46	53	53	48	43
G	46	41	48	43	43	38
H	45	45	43	43	43	443
I	45	45	36	36	36	36
J	45	45	36	36	36	36
K	181	180	182	182	180	179
L	14	14	10	10	10	10
M	91	86	77	77	74	66
N	89	83	70	70	67	61
Standover height measured with tubes diameter 880 mm			Standover height measured with tubes Conti Contact 559 X 47 or 622 X 47			

TANDEM GEOMETRY REFERENCE LIST

TANDEM GEOMETRY REFERENCE LIST		LOW RIDER 26"	LOW RIDER 28"	RANDONNEUR 26"	RANDONNEUR 26"
Frame sizes		16" / 21"	41 / 54 cm	23" / 19"	20" / 18"
Captain Seat tube angle (in degrees)	A	73	73	73	73
Stoker seat tube angle (in degrees)	B	73	73	73	73
Head tube angle (in degrees)	C	71	771	71	71
Captain horizontal top tube length (in/cm)	D	57	57	63	60
Stoker horizontal top tube length (in/cm)	E	82,5	82,5	72,5	72,5
Measured from the middle of the front bottom bracket to the top edge of the captain seat tube. (in/cm)	F	41	41	58,5	51
Measured from the middle of the rear bottom bracket to the top edge of the stoker seat tube. (in/cm))	G	54	54	48,5	46
chain stay length (in/cm)	H	45	45	45	45
Captain bottom bracket height (in/cm)	I	30	32	30	30
Stoker bottom bracket height (in/cm)	J	30	32	30	30
Axis distance (in/cm)	K	191	190	185	182
Suspension travel rear (in/cm)	L	14	14		
Captain standover height (in/cm)	M	72	75	86	77
Stoker standover height (in/cm)	N	63	66	77	73
Subject to change and errors	Standover height measured with tubes Conti Contact 559 X 47 or 622 X 47				

	RANDONNEUR 26"	RANDONNEUR 28"	RANDONNEUR 28"	RANDONNEUR 28"	CLASSICSTEEL 26"	CLASSICSTEEL 26"
	18" / 16"	59/48 cm	51/49 cm	46/41 cm	19"/19"	17"/17"
A	73	73	73	73	73	73
B	73	73	73	73	73	73
C	71	71	71	71	71	71
D	58	63	60	58	57	57
E	72,5	72,5	72,5	72,5	72,5	72,5
F	46	58,5	51	46	48	43
G	40,5	48,5	46	40,5	48	43
H	45	45	45	45	45	45
I	30	32	32	32	30	30
J	30	32	32	32	30	30
K	181	185	182	181	180	180
L						
M	71	87	79	74	74	69
N	68	79	75	70	74	69
	Standover height measured with tubes Conti Contact 559 X 47 or 622 X 47					

TANDEM GEOMETRY REFERENCE LIST



	CLASSICSTEEL 28"	CLASSICSTEEL 28"	CLASSICSTEEL 26" Detachable	CLASSICSTEEL 26" Detachable
	48 / 48 cm	43 / 43 cm	19"/19"	17"/17"
A	73	73	73	73
B	73	73	73	73
C	71	71	71	71
D	57	57	57	57
E	72,5	72,5	72,5	72,5
F	48	43	48	43
G	48	43	48	43
H	45	45	45	45
I	32	32	30	30
J	32	32	30	30
K	180	180	180	180
L				
M	76	71	74	69
N	76	71	74	69
Standover height measured with tubes Conti Contact 559 X 47 or 622 X 47				

TANDEM GEOMETRY REFERENCE LIST

	CLASSICSTEEL 28" Detachable	CLASSICSTEEL 28" Detachable	CLASSICSTEEL 26" Triple Detachable	CLASSICSTEEL 26" Triple Detachable	CLASSICSTEEL 28" Triple Detachable	CLASSICSTEE L 28" Triple Detachable
	48 / 48 cm	43 / 43 cm	19"/19"/19"	17"/17"/17"	48 / 48 / 48 cm	43 / 43 / 43 cm
A	73	73	73	73	73	73
B	73	73	73 / 73	73 / 73	73 / 73	73 / 73
C	71	71	71	71	71	71
D	57	57	57	57	57	57
E	72,5	72,5	72,5 / 72,5	72,5 / 72,5	72,5 / 72,5	72,5 / 72,5
F	48	43	48	43	48	43
G	48	43	48 / 48	43 / 43	48 / 48	43 / 43
H	45	45	45	45	45	45
I	32	32	30	30	30	30
J	32	32	30 / 30	30 / 30	32 / 32	32 / 32
K	180	180	252	252	252	252
L						
M	76	71	74	69	76	71
N	76	71	74 / 74	69 / 69	76 / 76	71 / 71
Standover height measured with tubes Conti Contact 559 X 47 or 622 X 47						

	BERLIN STEEL 26" also Detachable	BERLIN STEEL 26" also Detachable	BERLIN STEEL 28" also Detachable	BERLIN STEEL 28" also Detachable
Frame sizes	21"/19"	18"/16"	53 / 48 cm	46 / 41 cm
Captain Seat tube angle(in degrees)	73	73	73	73
Stoker seat tube angle (in degrees)	73	73	73 / 73	73
Head tube angle (in degrees)	71	71	71	71
Captain horizontal top tube length (in/cm)	57	57	57	57
Stoker horizontal top tube length (in/cm)	72,5	72,5	72,5	72,5
Measured from the middle of the front bottom bracket to the top edge of the captain seat tube. (in/cm)	53	46	53	46
Measured from the middle of the rear bottom bracket to the top edge of the stoker seat tube. (in/cm))	48	41	48	41
chain stay length (in/cm)	45	45	45	45
Captain bottom bracket height (in/cm)	30	30	32	32
Stoker bottom bracket height (in/cm)	30	30	32	32
Axis distance (in/cm)	180	180	180	180
Suspension travel rear (in/cm)				
Captain standover height (in/cm)	80	71	81	72
Stoker standover height (in/cm)	74	68	75	69
Standover height measured with tubes Conti Contact 559 X 47 or 622 X 47				

Travelbikes

CONQUEROR

Recommended retail price in Germany inc. VAT

Order number

<p>PQ0001</p>	<p>26“ Travelbike SRAM X7 Frame sizes: 18“ ; 20“ ; 23“ Framematerial: Cro Mo, Frame and Cro Mo fork colour: black gloss Avid V – brakes, Truvativ Five D crankset</p>	<p>1069,-</p>
<p>PQ0002</p>	<p>26“ Travelbike Shimano 8. speed Alfine Frame sizes: 18“ ; 20“ ; 23“ Framematerial: Cro Mo, Frame and Cro Mo fork colour: black gloss Avid V – brakes, Truvativ Five D crankset</p>	<p>1116,-</p>
<p>PQ0003</p>	<p>26“ Travelbike Rohloff hub 8025 Frame sizes: 18“ ; 20“ ; 23“ Framematerial: Cro Mo, Frame and Cro Mo fork colour: black gloss Avid V – brakes, Truvativ Five D crankset</p>	<p>2032,-</p>
<p>PQ0004</p>	<p>28“ Travelbike SRAM X7 Frame sizes: 18“ ; 20“ ; 23“ Framematerial: Cro Mo, Frame and Cro Mo fork colour: black gloss Avid V – brakes, Truvativ Five D crankset</p>	<p>1069,-</p>
<p>PQ0005</p>	<p>28“ Travelbike Shimano 8. speed Alfine Frame sizes: 18“ ; 20“ ; 23“ Framematerial: Cro Mo, Frame and Cro Mo fork colour: black gloss Avid V – brakes, Truvativ Five D crankset</p>	<p>1116,-</p>
<p>PQ0006</p>	<p>28“ Travelbike Rohloff hub 8025 Frame sizes: 18“ ; 20“ ; 23“ Framematerial: Cro Mo, Frame and Cro Mo fork colour: black gloss Avid V – brakes, Truvativ Five D crankset</p>	<p>2032,-</p>
<p>F4</p>	<p>Prices quoted are in Euro and exclusive of packaging and delivery Packaging and delivery charges of assembled bikes within Germany:</p>	<p>42,-</p>

We measure frame sizes from mid BB to seat tube end

Subject to change and errors

Updated: 25.01.2012

Carrierbikes LONG HARRY ST

Long Harry ST : Framematerial: Cro Mo

Recommended retail price in Germany inc. VAT

Order number		
PL0001	LONG HARRY ST 3G “Industry“ 3. speed SRAM hub, V - Brakes.	1499,-
PL0002	LONG HARRY ST 3G “Threemotion“ 3. speed SRAM hub, V – Brakes, sidewall dynamo lighting system, mudguards.	1549,-
PL0009	LONG HARRY ST 3G “Classic“ Gear assembly: Sturmey – Archer 5 speed hub, with drum brakes, Lighting system hub dynamo with rear parking light in stop position, mudguards.	1709,-
PL0003	LONG HARRY ST 3G “Twenty Four” Gear assembly: 24 speed, V-Brakes, lighting system: hub dynamo with rear parking light in stop position, mudguards, aluminium carrier.	1768,-
PL0028	LONG HARRY ST 3G “Nexus“ Gear assembly Shimano Nexus 8 speed hub, V - Brakes, , lighting system: hub dynamo with rear parking light in stop position, mudguards, aluminium carrier.	1789,-
PL0004	LONG HARRY ST 3G “Alfine“ Gear assembly Shimano Alfine 8 speed hub, hydraulic disc brakes QUAD, lighting system: hub dynamo with rear parking light in stop position, mudguards, aluminium carrier.	1965,-
PL0045	LONG HARRY ST 3G “NUVINCI” Nuvinci N360 Continuously Variable Transmissions, hydraulic disc brakes QUAD, lighting system: hub dynamo with rear parking light in stop position, mudguards, aluminium carrier.	2179,-
PL0029	LONG HARRY ST 3G “Alfine 11G“ Gear assembly Shimano Alfine 11 speed hub, hydraulic disc brake QUAD , lighting system: hub dynamo with rear parking light in stop position, mudguards, aluminium carrier.	2179,-
PL0005	LONG HARRY ST 3G “Rohloff“ Gear assembly: Rohloff 14 speed hub 8025 T. hydraulic disc brake QUAD, lighting system: hub dynamo with rear parking light in stop position, mudguards, aluminium carrier.	2659,-
PL0006	LONG HARRY ST 3G “BIONX“ Electric power system BionX PL-250 HT, Gear assembly: SRAM X5, hydraulic brakes Magura HS 33, lighting system: hub dynamo with rear parking light in stop position, mudguards, aluminium carrier.	3709,-
F2	Prices quoted are in Euro and exclusive of packaging and delivery Packaging and delivery charges of assembled carrier bikes within Germany:	99,-

Subject to change and errors
Updated: 25.01.2012

Carrierbikes LONG HARRY AL

Long Harry AL : Framematerial: Aluminium

Recommended retail price in Germany inc. VAT

Order number		
PL0030	LONG HARRY AL 1G “Twenty Four” Gear assembly: 24 speed, V-Brakes .	1909,-
PL0032	LONG HARRY AL 1G “Nexus“ Gear assembly Shimano Nexus 8 speed hub, V-Brakes, , lighting system: hub dynamo with rear parking light in stop position, mudguards, aluminium carrier.	1989,-
PL0031	LONG HARRY AL 1G “Twenty Four Plus” Gear assembly: 24 speed, hydraulische Scheibenbremsen, lighting system: hub dynamo with rear parking light in stop position, mudguards, aluminium carrier.	2068,-
PL0033	LONG HARRY AL 1G “Alfine” Gear assembly Shimano Alfine 8 speed hub, hydraulic disc brakes QUAD, lighting system: hub dynamo with rear parking light in stop position, mudguards, aluminium carrier.	2165,-
PL0046	LONG HARRY AL 1G “NUVINCI” Nuvinci N360 continuously variable transmissions, hydraulic disc brakes QUAD, lighting system: hub dynamo with rear parking light in stop position, mudguards, aluminium carrier.	2380,-
PL0034	LONG HARRY AL 1G “Alfine 11G“ Gear assembly Shimano Alfine 11 speed hub, hydraulic disc brakes QUAD, lighting system: hub dynamo with rear parking light in stop position, mudguards, aluminium carrier.	2380,-
PL0035	LONG HARRY AL 1G “Rohloff“ Gear assembly: Rohloff 14 speed hub 8025 T, hydraulic disc brakes QUAD , lighting system: hub dynamo with rear parking light in stop position, mudguards, aluminium carrier.	2859,-
PL0036	LONG HARRY AI 1G “BIONX” Electric power system BionX PL-250 HT, Gear assembly SRAM X5, hydraulic brakes Magura HS 33, lighting system: hub dynamo with rear parking light in stop position, mudguards, aluminium carrier.	3909,-
F2	Prices quoted are in Euro and exclusive of packaging and delivery Packaging and delivery charges of assembled carrier bikes within Germany:	99,-

Subject to change and errors

Updated: 01.09.2011

Carrierbikes

OPTIONAL PARTS/ACCESSORIES for LONG HARRY

Recommended retail price in
Germany inc. VAT

Order number		
PL0037	LONG HARRY transport-basket 800x600 mm	89,-
PL0038	LONG HARRY base plate 800x440 mm	43,-
PL0039	LONG HARRY folding transport- basket with tension rolls	119,-
PL0040	Bag for the folding transport-basket	110,-
PL0041	Trailer accessory set for the folding transport-basket drawbar , dropout, 20“ impeller., rear stays, mudguard.	120,-
PL0008	Long Harry Alucase Please note: we forwarded the cace seperately	189,-
PL0007	LONG HARRY child's cabin For two children	249,-
PL0042	Promotion plaques. to been mounted on the LONG HARRY frame triangle	59,-
PL0043	Steering Damper for LONG HARRY ST 3G	99,-
PL0044	Steering Damper for LONG HARRY AL 1G	99,-
PL0047		
F2	Prices quoted are in Euro and exclusive of packaging and delivery Packaging and delivery charges of assembled carrier bikes within Germany:	99,-

Trailer

Order number

PA0001	Trailer PEDALPOWER	soon
PA0002	Bag for the Trailer PEDALPOWER	soon
F6	Prices quoted are in Euro and exclusive of packaging and delivery Packaging and delivery charges of assembled trailers within Germany	20,-

Subject to change and errors
Updated: 01.09.2011

Carrierbikes

Order number		Recommended retail price in Germany inc. VAT
PL0010	CHILDREN TRANSPORTATION BIKE “ KTR “ With a cabin for two children plus luggage case, 7. speed SRAM hub, mechanic discbrake in front, V – brake rear, lighting system, mud guards, carrier.	1898,-
PL0015	BERLINER LASTENRAD 26“ (Berliner Carrierbike 26”) Front space (L 1000 mm ; W 750 mm) mechanic discbrake in front, V – brake rear 3. speed SRAM hub.	1499,-
	OPTIONAL PARTS/ACCESSORIES	
PL0016	Wooden case (L 1000 ; W 750 ; H 750)	200,-
PL0017	Cover for the wooden case	99,-
PL0019	Gear assembly 5. speed SRAM hub	159,-
PL0020	Gear assembly 7. speed SRAM hub	179,-
PL0021	Gear assembly Shimano Nexus 8 speed hub	224,-
PL0027	Gear assembly: Shimano Alfine 11 speed hub	522,-
PL0022	Sidewall dynamo lighting system	79,-
PL0023	3 steel Mudguards in black	30,-
PL0024	carrier	30,-
PL0018	children's bench with 2 safety belts	109,-
PL0025		
PL0026	LED supplementary front light right side	25,-
F2	Prices quoted are in Euro and exclusive of packaging and delivery Packaging and delivery charges of assembled carrier bikes within Germany:	99,-

Subject to change and errors

Updated: 25.01.2012

PEDALPOWER GbR

Proprietors: Harald Busack Eng.+ Michael Schönstedt

**Pfarrstr. 115
10317 Berlin**

e-mail: post@pedalpower.de

www.pedalpower.de

Tel.: 0049 (0) 30 55153270

Fax.: 0049 (0) 30 55153272

VAT-Reg. No: DE813044214

German Sales Tax Law::32/ 517 / 70631

Account number : 5711647009

Berliner Volksbank BLZ.: 100 900 00

BIC: BEVODEBB

IBAN: DE89 1009 0000 5711647009

TERMS AND CONDITIONS OF SALE AND DELIVERY 1.

1. GENERAL INFORMATION

Our deliveries and services are exclusively effected in accordance with our terms and conditions of sale and delivery. Any other contradicting or differing procurement provisions of our Buyers are hereby rejected. Terms and conditions of our Buyers shall only be binding for us if we expressly agree to them in writing. Should individual provisions of our terms and conditions be or become invalid, they are to be replaced accordingly. The validity of the remaining provisions shall not be affected hereby.

2. LIABILITY

Our confirmation of order in writing shall always be binding for all sales agreements. All agreements and commitments, whether they be verbal, by telephone or telegraphic that differ from our terms are only legally binding for us after acknowledgement in writing. By placing the order the customer acknowledges our terms and conditions of sale. The conditions remain valid for all present and future business relations between us even if an order has not been specially confirmed by us.

3. OFFER AND CONCLUSION OF CONTRACT

Our offers are subject to change. Illustrations, drawings, and weights and measures included in price lists, catalogues and other printed matter are only approximate and non-binding. An offer is deemed accepted, unless it is rejected by us within two weeks of receipt. Submission of the rejection within the period of time suffices whereby the postmark date is decisive.

4. DELIVERY AND DISPATCH

Delivery dates are only approximate and non-binding. Failure to meet the delivery deadline does not entitle the Buyer to terminate the contract/agreement after the due date has expired, before having extended the delivery date by at least 4 weeks; special edition models by 12 weeks. Claims for damages/compensation by the Buyer are excluded in all cases. Circumstances either beyond our control or for which we are not responsible entitle us to revoke the contract, excluding all claims for damages/compensation by the Buyer. Partial deliveries are permissible and deemed independent transactions. Dispatch is not insured and is at the Buyer's expense and risk even if free delivery has been agreed. Packaging will be charged.

5. NOTICE OF DEFECTS AND WARRANTY

Complaints of apparent defects can only be claimed by registered mail within 8 days on receipt of the goods. Notice of hidden defects must be contested on detection. We also only acknowledge hidden defects if we receive notice thereof within 2 months of dispatch at the latest. Proved defective delivery acknowledged by us will be replaced on return of the defective pieces. Claims to rescission of sale or reduction of the purchase price are excluded, as are claims for compensation. The Buyer is not entitled to withhold or counterbalance payments on account of eventual complaints.

6. PRICES

The prices valid on the day of delivery will be charged. This also applies to partial deliveries. The popular term "as usual" when ordering only applies exclusively to the execution and not the price. All prices quoted are EURO. The sales tax valid at the time will be added to the price and entered separately on the invoice.

7. PAYMENT

Payments are subject to the terms of payment on the invoice. No cash discount deductions are granted for bank transactions. Payments are only to be transacted via the accounts and/or authorities specified by us. Slippage entitles us to charge default interest. Bank debit rates are charged as default interest. Assertion of claims is subject to further default interest. If an invoice is not be paid by the date due, or a cheque or bill of exchange not honoured, any open cheques or bills and outstanding invoices will become due forthwith. The acceptance of bills and cheques are exclusively as payment, as long as their discharge or encashment is not firm and our bill or cheque-related liability continues. The Buyer bears the cost of discount charges and any other bill and cheque costs. If the Buyer is in arrears with the settlement of amounts invoiced, or if cheques or bills are protested, all receivables, even if not yet due are to be paid immediately. As regards our claims, set-offs are only permissible with due claims for payment, the amount of which is firm and the reasons for which are not disputed. The same applies to counterclaims.

PEDALPOWER GbR

Proprietors: Harald Busack Eng.+ Michael Schönstedt

Pfarrstr. 115
10317 Berlin

e-mail: post@pedalpower.de
www.pedalpower.de

Tel.: 0049 (0) 30 55153270

Fax.: 0049 (0) 30 55153272

VAT-Reg. No.:DE813044214

German Sales Tax Law:32/ 517 / 70631

Account number : 5711647009

Berliner Volksbank BLZ.: 100 900 00

BIC: BEVODEBB

IBAN: DE89 1009 0000 5711647009

TERMS AND CONDITIONS OF SALE AND DELIVERY 2.

8. SECURITY INTERESTS

If the Buyer fails to meet financial obligations in due time, we are entitled to withhold the ordered goods until debts due has been paid. Claims for damages/compensation by the Buyer are excluded in this respect. The goods delivered by us remain our property until complete settlement of the purchase price including all accessory claims, and the retention of title includes all our deliveries, as long as there are still any claims on our part. The processing or workmanship of goods delivered by us and still our property is always effected on our behalf, without incurring liabilities for us. If the goods delivered by us are mixed or combined with other objects or items, the Buyer at this point cedes ownership or co-ownership rights of the mixed inventory or new object/item and holds it/them in safe custody for us with the due diligence of a conscientious businessman. If the Buyer sells the goods delivered by us, regardless of what condition they are in at the time – he hereby assigns to us, until full payment of all our claims, receivables and sums owing (including incidental claims) from goods delivered, the claims arising from the resale and any claims against its customer with all subsidiary rights. At our request the Buyer shall be obliged to inform the Buyer's customer of the assignment made and give us the necessary information and documents to assert our rights against the Buyer's customer. At the buyer's request we undertake to release securities should their value exceed our claims to be secured by more than 25%. The Buyer is not entitled to assign or pledge as security any goods to third parties as long as the retention of title still exists. If the conditional goods are pledged by third parties, the Buyer is obliged to report in writing to us at once. If the goods under retention of title are insured against fire and theft, then in the event of damage the Buyer transfers, cedes and assigns to us his eventual claims against the insurances to the value of the conditional goods.

9. PROTECTION PROVISIONS

All types, models etc. are our intellectual property. The Buyer or Recipient is not allowed to replicate or copy, to secure any property rights or in anyway exploit aforementioned. Nor is the Buyer allowed to sell said goods under a different name without our consent. we reject in advance any liability on our part for any damage, patent claims etc. also against third parties for products/models manufactured according to our own designs/constructions and based on our experience. The measurements, technical details, etc stated in our printed matter, brochures/pamphlets, etc. shall be non-binding. In the case of deviations no claims for compensation/damages can be filed against us.

10. RIGHT OF RESCISSION

Cases of force majeure such as war, natural disasters, interruptions of operations, strikes and lockouts, export bans, etc., which hinder procurement of raw materials, fabrication, or dispatch, give us the right to extend quoted delivery dates accordingly or withdraw from the contract completely, without aforementioned resulting in any claims for compensation/damages by the Buyer. Adverse credit claims, delay in payment or the occurrence of adverse changes in the Buyer's circumstances during the contract period entitle us to withdraw from delivery obligations, or at our discretion, to deliver the goods on advance payment or cash on delivery of the total amount on the invoice. In no way does this give the Buyer the right to bring any claims whatsoever against us. We shall also be entitled to withdraw from obligations to deliver if the Buyer has failed to meet earlier contractual obligations. Nor do such cases give the Buyer any rights whatsoever to make claims of any kind.

11. PLACE OF PERFORMANCE

Berlin shall be the place of performance for delivery and payment. The Berlin courts have jurisdiction and venue over all legal disputes and cases of litigation resulting from contracts concluded with us. Aforementioned shall also apply to actions filed under the summary proceedings based on bills of exchange, promissory notes and cheques. The event of entering into a contract with a non- or small trader shall expressly be agreed according to § 38 Para. 3 Sec. 2b of the code of civil procedure, the Berlin district court has jurisdiction over any summary proceedings.

12. GOVERNING LAW

German substantive and procedural laws apply exclusively.

Status 2012



Pedalpower GbR

Proprietors: Harald Busack Eng.+ Michael Schönstedt

Pfarrstr. 115

10317 Berlin Deutschland

Tel. +49 (0)30 551 532 70

Fax +49 (0)30 551 532 72

www.pedalpower.de

Mail: post@pedalpower.de